

High Speed Dicer

IKSC-300



- Cut into flexible size and length as you wish.
- Meat from Chilled to Frozen is sliceable.
- Excellent operation ability by High-Speed processing.
- Inter-Lock Structure by sensor, secure and safety for operation.
- Processing dimensions are various by exchange of the cutter unit.

(Option cutter unit is selling separately)



SLICING SAMPLES Cube Slicing

Oblong Slicing

Flake Slicing

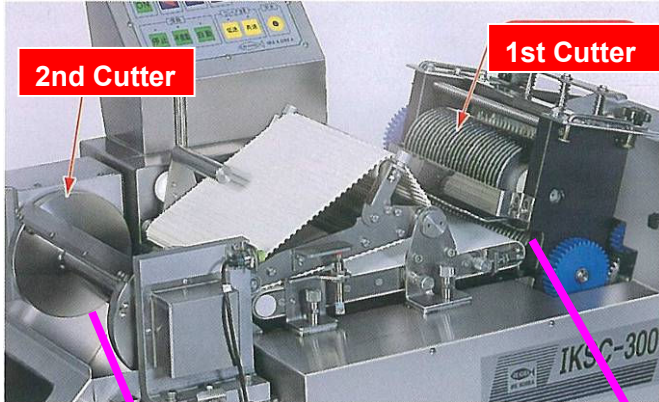


Machine Dimension	L1600xW750xH1150
Power Voltage	3P 200V 60Hz/50Hz
Motor Capacity	Slicer Motor 0.2kW
	Conveyor Motor 0.2kW
Slice Speed	30 to 1100 rotations / minute
1st Cutting	6-30mm
2nd Cutting	5-70mm
Substitute Frame Measure	Standard 10mm : (Option) 6, 8, 15, 20, 25, 30mm
Sliceable Size	W260 x H30 mm
Sliceable Temperature	-6degree Celsius to -2degree Celsius * It might be different according to the meat thickness, quality and shape.
Capacity	450kg/h(Apply for 10 x 10mm)

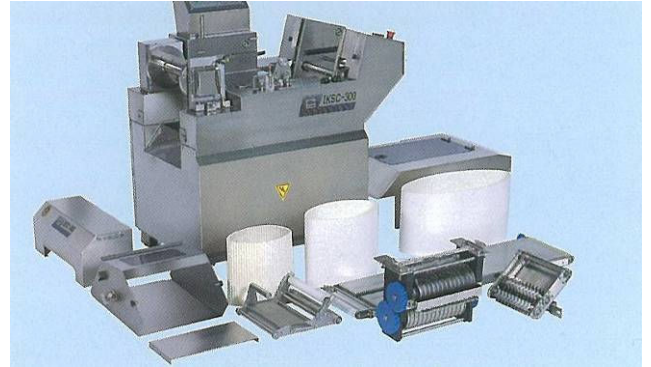


IKSC-300

Slicing System
Sistema de Corte

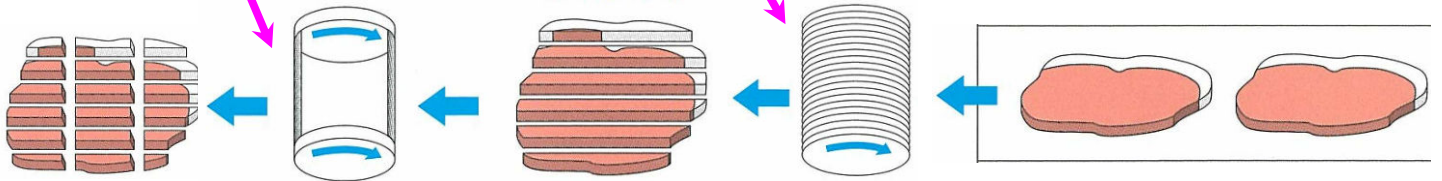


Easy to dismantle, easy to clean up.
Fácil de desmontar y limpiar.



Change slice length
by controlling blade
rotating speed

Change slice width by
changing cutter unit



5mm – 70mm

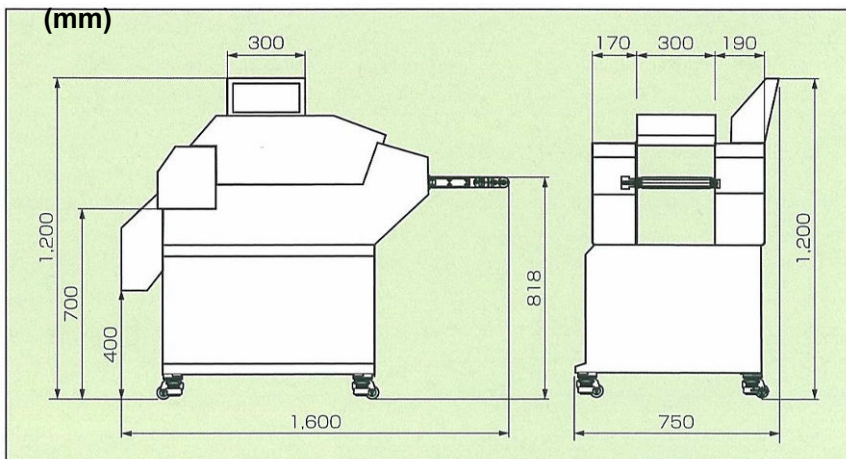
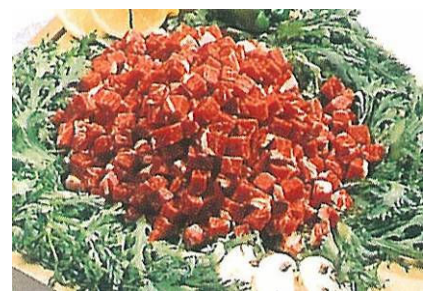
2nd Cutter

6mm – 30mm

1st Cutter

Cambie la velocidad de rotación
para ajustar el longitud de corte

Cambie la unidad de cuchillas
para ajustar el ancho de corte



Nantsune Co., Ltd.

No.17-41, 4-Chome Ohi, Fujiidera-City,

Osaka 583-0008 JAPAN

TEL: (+81) 72-939-1500

FAX: (+81) 72-939-1504

URL: <http://www.nantsune.co.jp/en/>

E-mail: nan.global@nantsune.co.jp