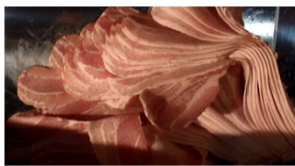




JAPAN MADE HIGH SPEED SLICER

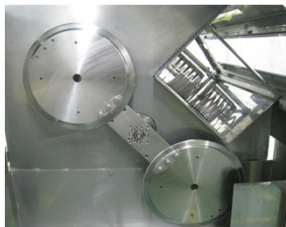
GAIA BOON-360TB



**PRECISE THICKNESS
UNIFORMITY WITH EASY OPERATION**

NANTSUNE'S SUPER SHARP CUTTEING-EDGE
REALIZES VERY PRECISE THIN SLICING
WITH SIMPLE TOUCH SCREEN OPERATION

※OPTIONAL CLEAR CHAMBER LID APPLIED FOR DEMONSTRATION



**DUAL CIRCULAR BLADES FOR
TREMENDOUS SLICING SPEED**

HIGH SLICING CAPACITY OF
MAX **400PCS** PER MINUTE
(when slice thickness is under 4.0mm)



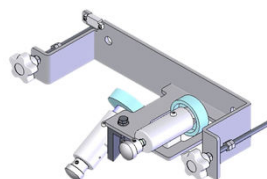
CONVEYOR MODEL

OPTIONAL OUT-FEED CONVEYOR
IS AVAILABLE ON REQUEST



LARGE MEAT CHAMBER

W360 x L700 mm MEAT CHAMBER
FOR LARGE MEAT OR MULTIPLE ROWS



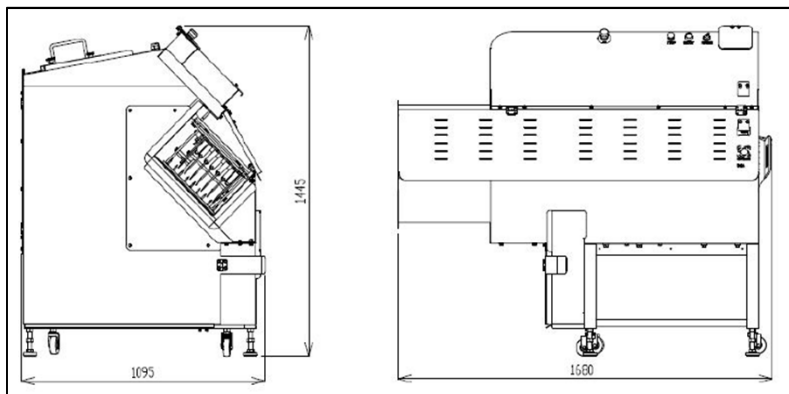
GRINDING DEVICE

ATTACHED WITH MACHINE
FOR EASY BLADE GRINDING

BASIC SPECIFICATIONS

Unit dimention	1,680(W) x 1,095(D) x 1,445(H)
Unit weight	357KG
Electrical spec.	200V/220V/380V/415V 3Ph, 50-60Hz
Motor spec.	Blade: 2.2kW x 1pc Feeder: 0.4kW x 1pc
Meat chamber size	360(W) x 200(H) x 700(L) mm
Slicing thickness	(0) - 70mm
Slicing capacity	400pcs/min (max)
Max slicing capacity by thickness	(0)-4.0mm 400pcs/min (0)-7.0mm 300pcs/min (0)-10.0mm 200pcs/min (0)-30.0mm 100pcs/min (0)-70.0mm 50pcs/min

EXTERNAL DRAWING



CONVEYOR SPECIFICATIONS

Conveyor dimention	1,646(W) x 628(D) x 648(H)mm
Conveyor weight	45KG
Motor spec.	90W
Conveyor speed	7 speed-type
Main unit + Conv.	2,588(W) x 1,095(D) x 1,445(H)mm

Nantsune Co., Ltd.

Head quarters & Plant
4-17-41, Ohi, Fujiidera, Osaka 583-0008 JAPAN
TEL: +81-72-939-1500 FAX: +81-72-939-1504
Website: www.nantsune.co.jp/en
E-mail: nan.global@nantsune.co.jp